



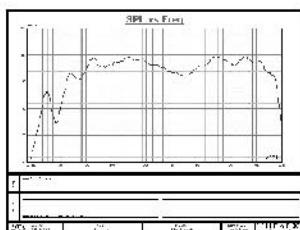
15" Two-Way Full Range Speaker

Applications

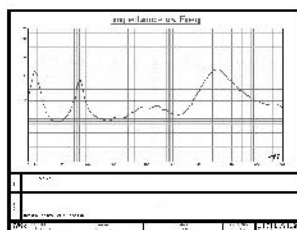
- Main speakers for the convention hall
- Auditorium, theatre, church
- Multi-purpose hall
- Main speaker and aux speakers for nightclubs or discos
- Live sound reinforcement

Features

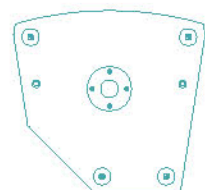
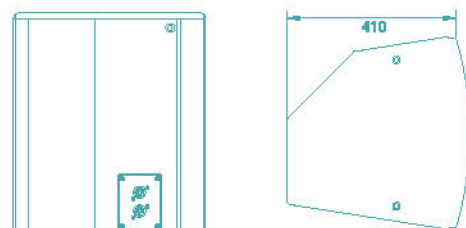
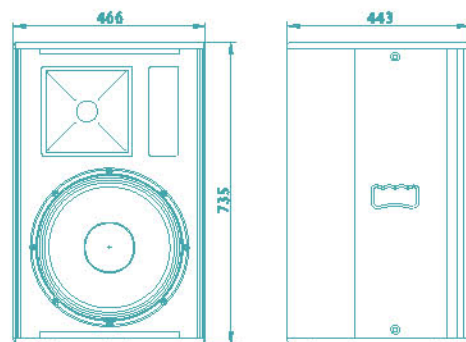
- TC15 is a single 15" two-way full range speaker, which is designed for different tour applications, and also can be used in fixed installation occasion.
- No attenuation resistors are applied for the crossover so that the resistor will not overheat in maximum power situation. It avoids the affect to the high frequency and increases the damping factor and the efficiency of the speakers accordingly.
- Time correct can realize smooth phase adjustment.
- 36° trapezoid enclosure.
- 80° x 50° rotatable horn.
- 10 flying points.
- Pole mount socket.



Frequency Response Curve



Impedance Curve



Specifications

Frequency Response	55Hz-16kHz(±4dB) 50Hz-18kHz(-10dB)
Sensitivity(1W/1m)	96dB(88Hz - 16kHz)
SPL	122dB continuous , 128dB peak
Power Rated (AES)	400W
Crossover	2.2kHz
HF	1x25mm(1") exit compression driver 44mm(1.76") voice coil
LF	1x15" woofer 75mm(3") voice coil
Nominal Impedance	8 Ω
Dispersion(HxV)	80° x 50°
Connector	2 SPEAKON NL4MP 1+1-
Fittings	10 M10 flying points, 1 pole mount socket
Dimension(WxDxH)	466mmx433mmx742mm
Weight	33kg
Recommended AMP	MA7200/D6



18" Subwoofer

Applications

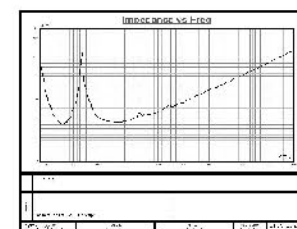
- Theatre sub-bass
- Live sound reinforcement sub-bass
- Multi-purpose room sub-bass
- Nightclub and disco sub-bass

Features

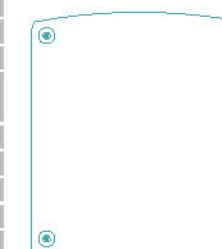
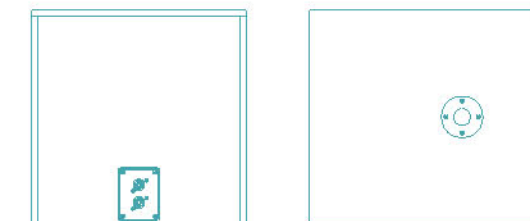
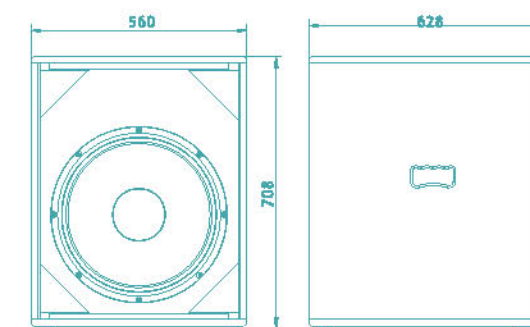
- TC18B is a single 18" base reflex speaker, which is designed for different touring applications, and also can be used in fixed installation occasion. It can extend its low-frequency response combined with other TC full range speakers.
- Compact, ultra-low frequency.
- Thermostable 4" (100mm) voice coil.
- Big base reflex hole can reduce air current sound .
- Pole mount socket.



Frequency Response Curve



Impedance Curve



Specifications

Frequency Response	45Hz-2000Hz(±4dB) 30Hz-320Hz(-10dB)
Sensitivity(1W/1m)	97dB(88Hz - 16Hz)
Nominal Impedance	8 Ω
Power Rated (AES)	700W
LF	1x18" woofer 100mm(4") voice coil
SPL	125dB continuous , 131dB peak
Connector	2 SPEAKON NL4MP 2+2-
Dimension(WxDxH)	544mmx628mmx708mm
Weight	44kg
Recommended AMP	MA8200